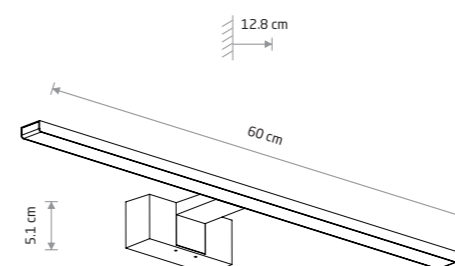
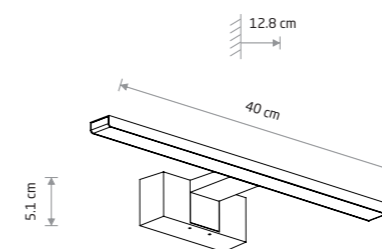




1. Na lustrze  
1. On the mirror  
1. На зеркало

2. Na szafce łazienkowej  
2. On the bathroom cabinet  
2. На шкафу в ванной комнате

3. Na ścianie  
3. On the wall  
3. На стене



### CEZANNE LED S

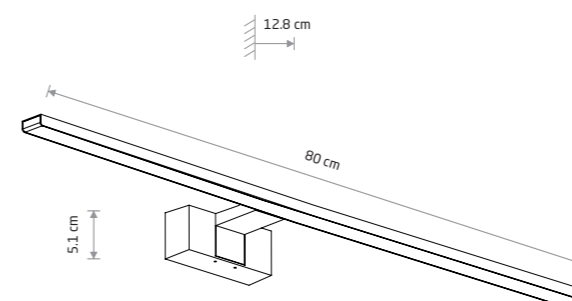
Painted aluminum, plastic ABS, plastic PMMA

- 10668 3000K ■ 10676 4000K
- ▨ 10665 3000K ▨ 10680 4000K
- 10672 3000K □ 10683 4000K

### CEZANNE LED M

Painted aluminum, plastic ABS, plastic PMMA

- 10670 3000K ■ 10677 4000K
- ▨ 10666 3000K ▨ 10681 4000K
- 10673 3000K □ 10684 4000K



### CEZANNE LED L

Painted aluminum, plastic ABS, plastic PMMA

- 10671 3000K ■ 10678 4000K
- ▨ 10667 3000K ▨ 10682 4000K
- 10674 3000K □ 10685 4000K

Item No.	Power	Colour temp.	Luminous flux	Beam angle	Colour Rendering Index (CRI)	Input	Safety type	Power factor	Ingress protection	Lifetime
10665	8W LED	3000K	600 lm	120°	≥ 80	~220-230 V, 50/60 Hz	☐	>0.5	IP44	25000h
10668	8W LED	3000K	550 lm	120°	≥ 80	~220-230 V, 50/60 Hz	☐	>0.5	IP44	25000h
10672	8W LED	3000K	600 lm	120°	≥ 80	~220-230 V, 50/60 Hz	☐	>0.5	IP44	25000h
10676	8W LED	4000K	600 lm	120°	≥ 80	~220-230 V, 50/60 Hz	☐	>0.5	IP44	25000h
10680	8W LED	4000K	650 lm	120°	≥ 80	~220-230 V, 50/60 Hz	☐	>0.5	IP44	25000h
10683	8W LED	4000K	650 lm	120°	≥ 80	~220-230 V, 50/60 Hz	☐	>0.5	IP44	25000h
10666	12W LED	3000K	900 lm	120°	≥ 80	~220-230 V, 50/60 Hz	☐	>0.5	IP44	25000h
10670	12W LED	3000K	850 lm	120°	≥ 80	~220-230 V, 50/60 Hz	☐	>0.5	IP44	25000h
10673	12W LED	3000K	900 lm	120°	≥ 80	~220-230 V, 50/60 Hz	☐	>0.5	IP44	25000h
10681	12W LED	4000K	950 lm	120°	≥ 80	~220-230 V, 50/60 Hz	☐	>0.5	IP44	25000h
10684	12W LED	4000K	950 lm	120°	≥ 80	~220-230 V, 50/60 Hz	☐	>0.5	IP44	25000h
10677	12W LED	4000K	900 lm	120°	≥ 80	~220-230 V, 50/60 Hz	☐	>0.5	IP44	25000h

Item No.	Power	Colour temp.	Luminous flux	Beam angle	Colour Rendering Index (CRI)	Input	Safety type	Power factor	Ingress protection	Lifetime
10667	15W LED	3000K	1100 lm	120°	≥ 80	~220-230 V, 50/60 Hz	☐	>0.5	IP44	25000h
10671	15W LED	3000K	1050 lm	120°	≥ 80	~220-230 V, 50/60 Hz	☐	>0.5	IP44	25000h
10674	15W LED	3000K	1100 lm	120°	≥ 80	~220-230 V, 50/60 Hz	☐	>0.5	IP44	25000h
10678	15W LED	4000K	1100 lm	120°	≥ 80	~220-230 V, 50/60 Hz	☐	>0.5	IP44	25000h
10682	15W LED	4000K	1200 lm	120°	≥ 80	~220-230 V, 50/60 Hz	☐	>0.5	IP44	25000h
10685	15W LED	4000K	1200 lm	120°	≥ 80	~220-230 V, 50/60 Hz	☐	>0.5	IP44	25000h