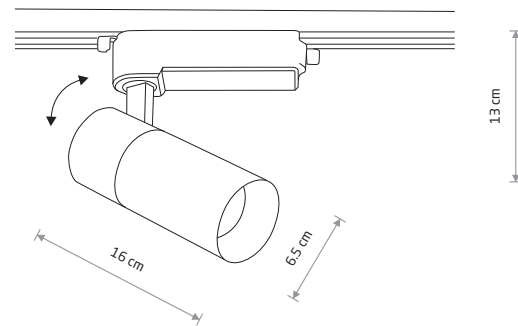




PROFILE TINOS LED 20W 10383



**PROFILE TINOS LED 20W**

Painted aluminum, plastic

- 10374 3000K     10378 4000K
- 10383 3000K     10387 4000K

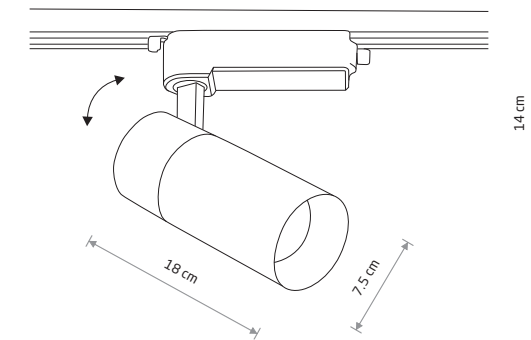


Item No.	Power	Colour temp.	Luminous flux	Beam angle	Colour Rendering Index (CRI)	Input	Safety type	Power factor	Ingress protection	Lifetime
10374	20W LED	3000K	1800 lm	36°	>80	~220-230 V, 50/60 Hz	☐	>0.9	IP20	30000h
10378	20W LED	4000K	2000 lm	36°	>80	~220-230 V, 50/60 Hz	☐	>0.9	IP20	30000h
10383	20W LED	3000K	1700 lm	36°	>80	~220-230 V, 50/60 Hz	☐	>0.9	IP20	30000h
10387	20W LED	4000K	1900 lm	36°	>80	~220-230 V, 50/60 Hz	☐	>0.9	IP20	30000h

WHITE     BLACK



PROFILE TINOS LED 30W 10375



**PROFILE TINOS LED 30W**

Painted aluminum, plastic

- 10375 3000K     10380 4000K
- 10384 3000K     10388 4000K



Item No.	Power	Colour temp.	Luminous flux	Beam angle	Colour Rendering Index (CRI)	Input	Safety type	Power factor	Ingress protection	Lifetime
10375	30W LED	3000K	2800 lm	36°	>80	~220-230 V, 50/60 Hz	☐	>0.9	IP20	30000h
10380	30W LED	4000K	3000 lm	36°	>80	~220-230 V, 50/60 Hz	☐	>0.9	IP20	30000h
10384	30W LED	3000K	2600 lm	36°	>80	~220-230 V, 50/60 Hz	☐	>0.9	IP20	30000h
10388	30W LED	4000K	2900 lm	36°	>80	~220-230 V, 50/60 Hz	☐	>0.9	IP20	30000h

WHITE     BLACK