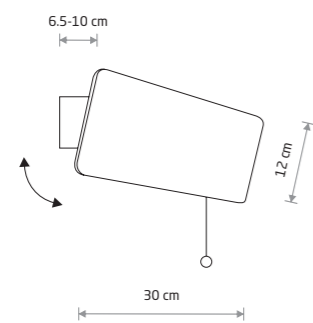


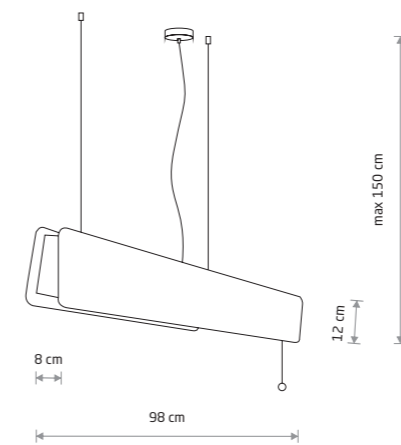


OSLO LED 7522



OSLO 30
wood, painted steel

- 9700
- 1xE14, max 15W only LED



OSLO LED 90
wood, painted steel

- 7522
- 7520
- 1xLED TUBE T8, max 16W, included

Name	Size	Power	Colour temp.	Luminous flux	Beam angle	Colour Rendering Index (CRI)	Input	Power factor	LED driver	Lifetime	Material
LED TUBE T8	90 cm	16W LED	3000K	2300 lm	120°	≥80	~220-230 V, 50/60 Hz	>0,5	INCL	30000h	CLEAR GLASS